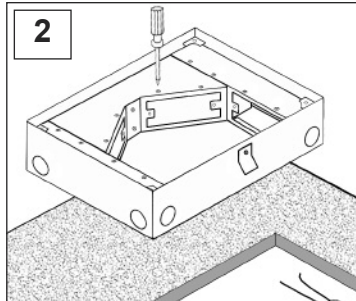
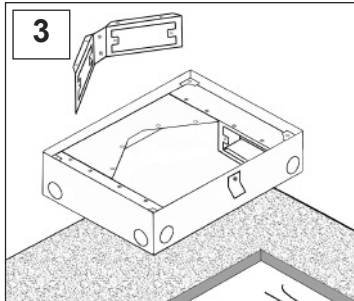


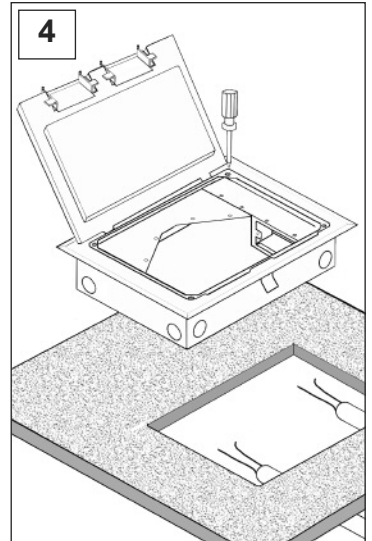
1
 Determine box location and position in accordance to floor plan.



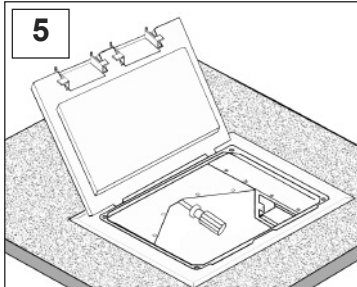
2
 Unscrew the four screws on top of the V Shaped Panel.



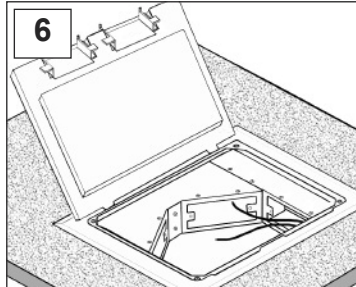
3
 Remove the V Shaped Mounting Panel.



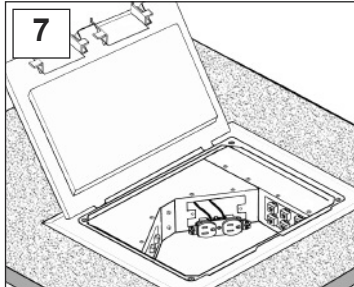
4
 Attach the cover to the box using the four supplied screws. Attach conduits to the selected knock outs.



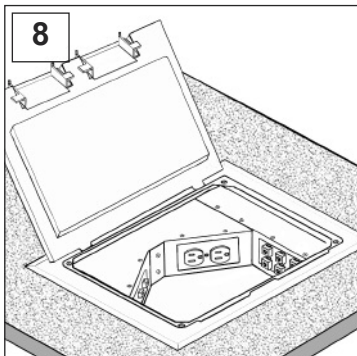
5
 Drop the box on the floor cut out. Locate the clips tighten screws and fasten them until the box is properly secured to the floor (See Fig A and B below)



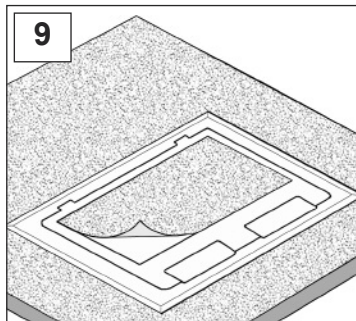
6
 Install all mounting panels in the box. Pull cables thru the panel openings.



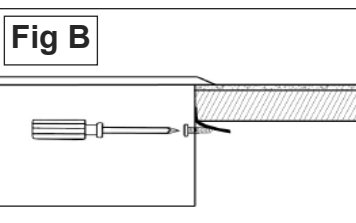
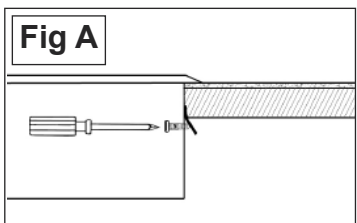
7
 Remove barriers to communicate the compartments - if necessary - Wire devices in accordance with the NEC.



8
 Attach faceplates to mounting panels.



9
 Install the desired floor covering material (Carpet, Wood, etc) on top of the lid -if applicable- Recessed area: 7/16" (12 mm)



DISCLAIMER - (World-wide)
 FBS FLOOR BOX SYSTEMS MAKE NO WARRANTIES OR REPRESENTATIONS, WHATSOEVER, EXPRESS OR IMPLIED, AS TO THE MERCHANTABILITY, FITNESS OR SUITABILITY OF THIS PRODUCT.

Installer/Buyer of this product must verify the suitability or approval of this product for the specific use with the local codes and/or authorities having jurisdiction in the area where the product will be installed.

Warning:
 To be installed and/or used in accordance with appropriate electrical codes and regulations.

Warning:
 To avoid fire, electrical shock and/or electrocution turn power OFF at the circuit breaker before wiring.

Caution:
 Wire devices in accordance with the NEC. If you are not sure about existing conductor wires, color coding, polarity and circuit feed contact a licensed electrician.

