

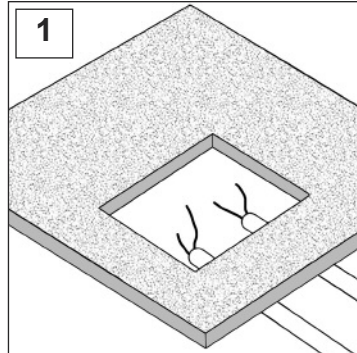
Floor Box and Cover - Installation Instructions -

Instructions applicable to the following items:

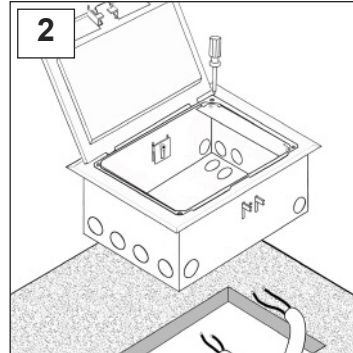
FBSR4X	Floor Box
BC4BRB	Cover
BC4SRB	Cover

FBS R4X Floor box is intended for installation in raised floors.

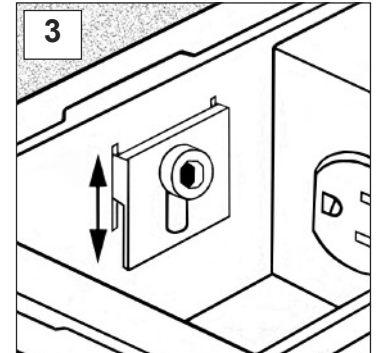
NOTE:
 Minimum Floor Thickness: 5/8" (16 mm)
 Maximum Floor Thickness 1 1/4" (31 mm)
 The box tighten toggles should be adjusted in accordance to the floor thickness (See step 3)



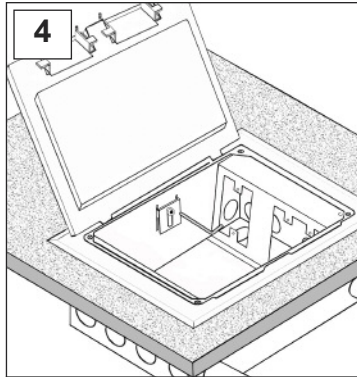
Determine box location and position in accordance to floor plan. Make a 12 3/4" (324 mm) by 8 15/16" (227 mm) cutout on the floor.



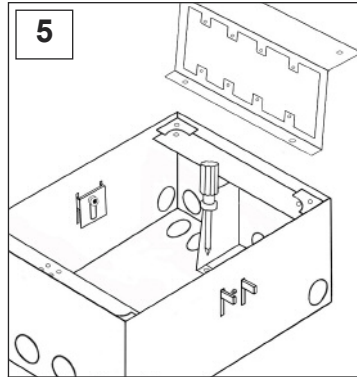
Pull 3/4" or 1" trade size flexible conduits through the floor cutout and attach them to the selected knockouts using conduit fittings. Attach the cover to the box using the four supplied screws



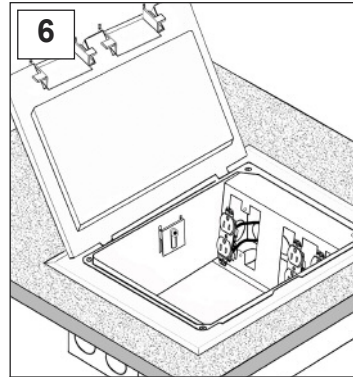
Drop the box on the floor cut out and adjust the position of the toggle until the box is secured to the floor. (See Fig A below)



Fasten the Allen screws using a 5/32 allen wrench until the box is securely anchored to the floor. NOTE: For floor thicknesses from 1 - 1 1/4" remove the allen screw, rotate toggle 180° and install the toggle back in place.



Barriers must be installed when placing line and low voltage devices on the same side of the box. To install barriers, remove the mounting panel and install barriers accordingly

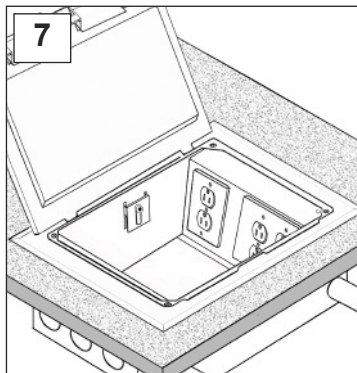


Locate and pull wires. Wire the devices in accordance to the NEC.

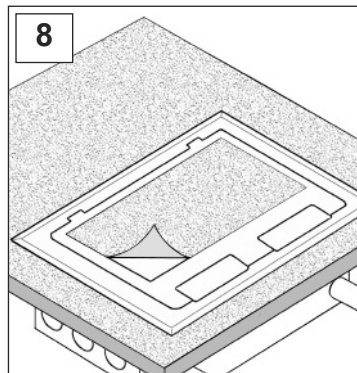
Warning:
 To be installed and/or used in accordance with appropriate electrical codes and regulations.

Warning:
 To avoid fire, electrical shock and/or electrocution turn power OFF at the circuit breaker before wiring.

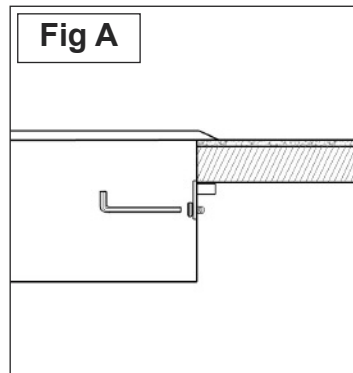
Caution:
 Wire devices in accordance with the NEC. If you are not sure about existing conductor wires, color coding, polarity and circuit feed contact a licensed electrician.



Attach the devices to the mounting panels and secure the wallplates.



Install the desired floor covering material on top of the lid. Recessed area: 7/16" (12 mm)



Disclaimer - (Worldwide)
 FBS Floor Box Systems makes no warranties or representations, whatsoever, express or implied, as to the merchantability, fitness or suitability of this product.

Installer/Buyer of this product must verify the suitability or approval of this product for the specific use with the local codes and/or authorities having jurisdiction in the area where the product will be installed.