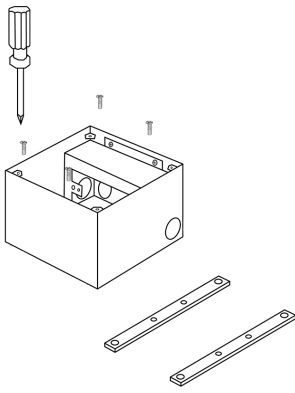
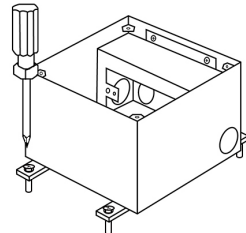


IMPORTANT: Please read carefully the following instructions before beginning.



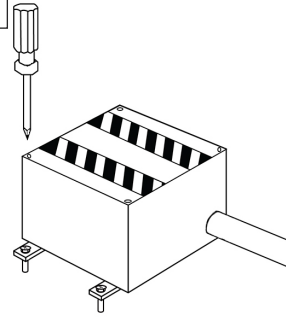
OLD WORK
 Unscrew the four screws at the bottom of the box to remove leveling feet.

1



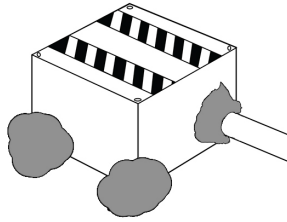
Determine box location and position in accordance to floor plans. Adjust the leveling screws until the desired level is met.

2



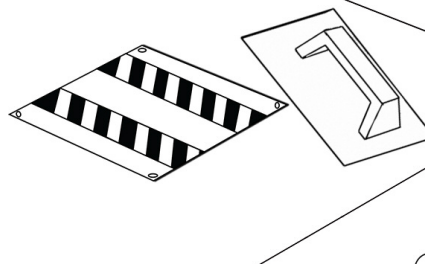
Attach conduits to the selected knockouts. Install temporary cover to prevent debris from entering the box during concrete pour. Duct tape any cracks or seams where concrete may enter.

3



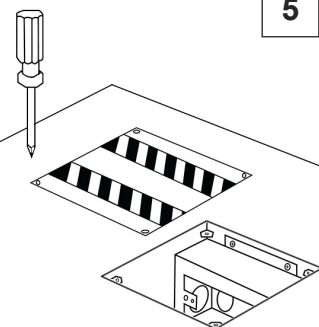
Fix and secure box to the floor. If necessary, use concrete mixture below and around box to level the box in accordance to the final floor level desired.

4




Pour concrete. Hand toweling near box edges is suggested once concrete has been poured.

5




Once concrete has cured, remove temporary cover. Locate and pull wires.

Warning:



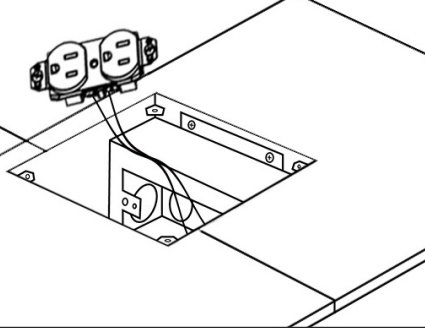
To be installed and/or used in accordance with appropriate electrical codes and regulations.

Warning:



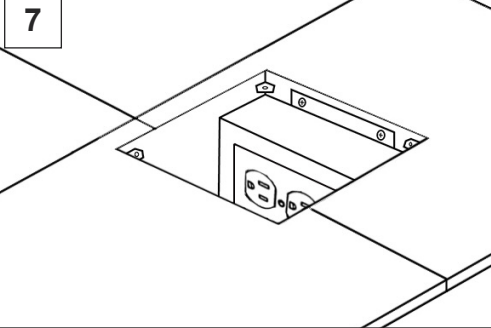
To avoid fire, electrical shock and/or electrocution turn power OFF at the circuit breaker before wiring.

6




Install the desired floor covering material (terrazzo, tile, limestone, carpet, etc) on the floor.

7



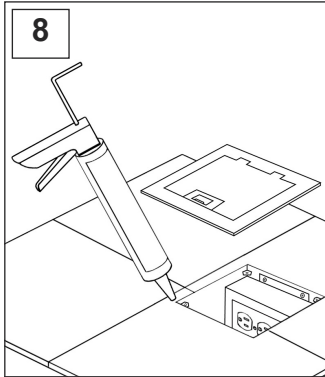
Wire devices in accordance with the NEC. Attach faceplates to mounting panels.

Caution:

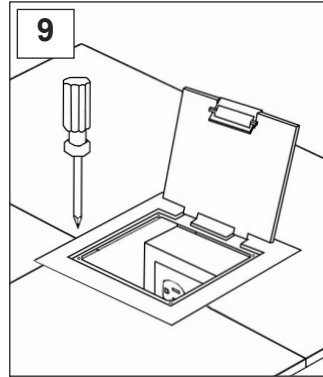


Wire devices in accordance with the NEC. If you are not sure about existing conductor wires, color coding, polarity and circuit feed contact a licensed electrician.

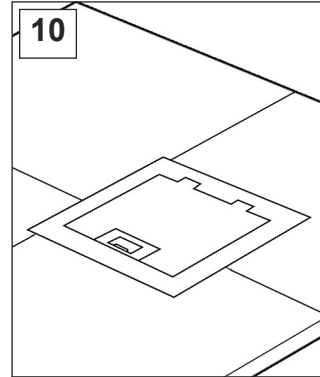




8
 Before installing the cover, apply a generous amount of silicone caulk around the opening of the floor box (where the flange sits). Verify that all the perimeter has been properly sealed.



9
 Secure the cover to the box using the four supplied screws.



10
 Installation Complete.

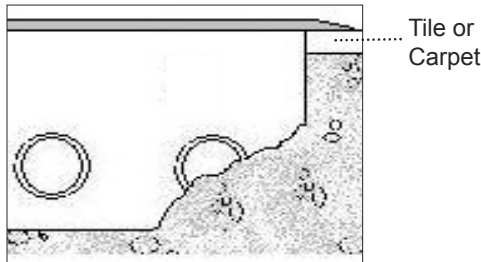
**DISCLAIMER -
 (Worldwide)**

FBS Floor Box Systems makes no warranties or representations, whatsoever, express or implied, as to the merchantability, fitness or suitability of this product.

Buyer / Installer of this product must verify the suitability or approval of this for the specific use with the local codes and/or authorities having jurisdiction in the area where the product will be installed.

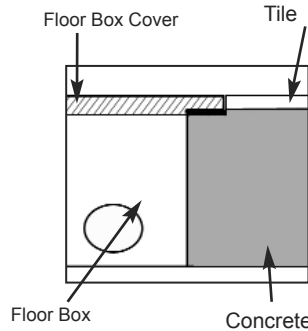
Leveling the Box

CORRECT



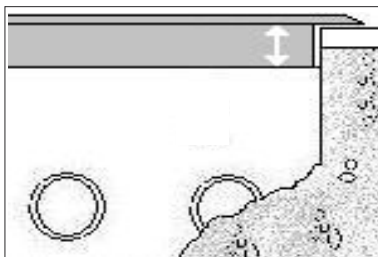
When a floor covering (tile, wood, carpet) thickness is known in advance, estimating level to obtain a floor covering flushed with floor box is suggested (as shown on the figure above) However it is not completely necessary

Straight edge cover - Flush Installation

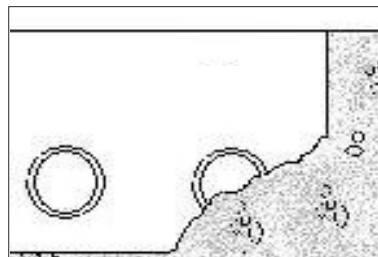


- 1) Depending on the thickness of the floor covering material, level the box (before pouring concrete) as necessary to obtain a flush finish between the cover and the final floor level as shown on the illustration.
- 2) Before installing the cover, apply a generous amount of silicone caulk around the opening of the floor box. Verify that all the perimeter has been properly sealed.
- 3) Secure the cover to the box using the four supplied screws.

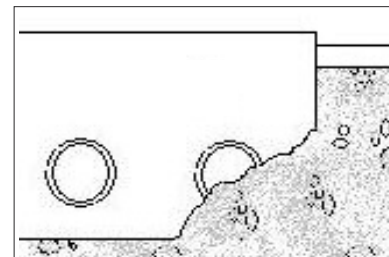
*****INCORRECT*****



When concrete is over poured, the cover can still be applied.



When concrete is flushed with box, the cover can be applied.



Avoid this situation

