

## Floor Box and Cover - Installation Instructions -

Instructions applicable to the following items:

FBSR01	Floor Box
BC0SFN	SS Cover
BC0BFN	Brass cover

FBS R01 Floor box is intended for installation in raised floors.

**NOTE:**

Minimum Floor Thickness: 5/8" (16 mm). Maximum Floor Thickness 1 1/4" (31 mm). The box tighten toggles should be adjusted in accordance to the floor thickness (See step 3).

1

Determine box location and position in accordance to floor plan. Make a 5 1/2" (140 mm) by 5 1/2" (140 mm) cutout on the floor.

2

Pull 3/4" trade size flexible conduits through the floor cutout and attach them to the selected knockouts using conduit fittings. Attach the cover to the box using the four supplied screws.

**Warning:**  
 To be installed and/or used in accordance with appropriate electrical codes and regulations.

**Warning:**  
 To avoid fire, electrical shock and/or electrocution turn power OFF at the circuit breaker before wiring.

3

Drop the box on the floor cut out and adjust the position of the toggle until the box is secured to the floor (See Fig A below).

4

Fasten the Allen screws using a 5/32 allen wrench until the box is securely anchored to the floor. NOTE: For floor thicknesses from 1 - 1 1/4" remove the allen screw, rotate toggle 180° and install the toggle back in place.

5

Locate and pull wires. Wire devices in accordance with the NEC.

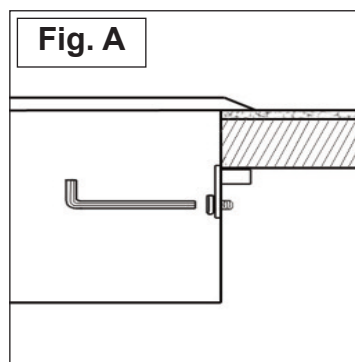
**Caution:**  
 Wire devices in accordance with the NEC. If you are not sure about existing conductor wires, color coding, polarity and circuit feed contact a licensed electrician.

6

Attach the devices to the mounting panels and secure the faceplates.

7

Installation Complete.



**DISCLAIMER - (Worldwide)**  
 FBS Floor Box Systems makes no warranties or representations, whatsoever, express or implied, as to the merchantability, fitness or suitability of this product.

Buyer / Installer of this product must verify the suitability or approval of this for the specific use with the local codes and/or authorities having jurisdiction where the product will be installed.

